



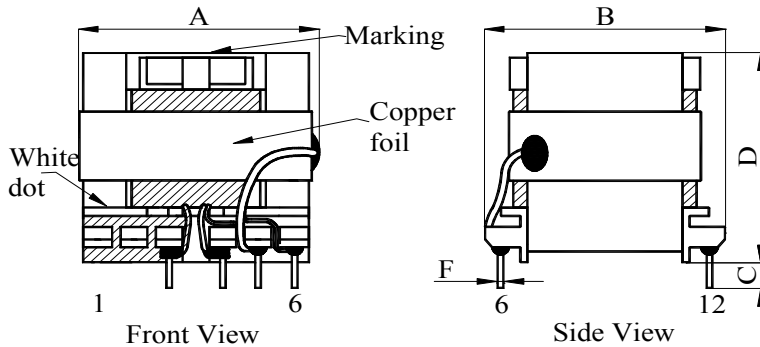
SPECIFICATION FOR APPROVAL



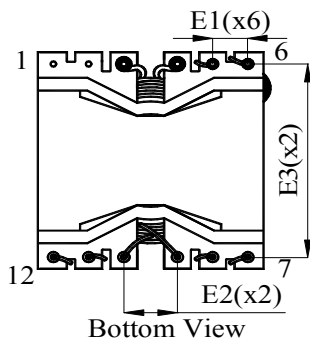
OUTLINE DIMENSION

CUSTOMER	*	DESCRIPTION	PQ3230 Transformer
CUSTOMER PART NO.		VERSION	1.0
PART NO	T30814-6	PAGE NO	1 OF 3

1. OUTLINE DIMENSION(UNIT:mm):



A	36.00	(Max.)	mm
B	37.50	(Max.)	mm
C	4.00	± 0.5	mm
D	35.00	(Max.)	mm
E1	5.05	± 0.5	mm
E2	7.60	± 0.5	mm
E3	30.30	± 0.5	mm
F	0.80	± 0.1	mm

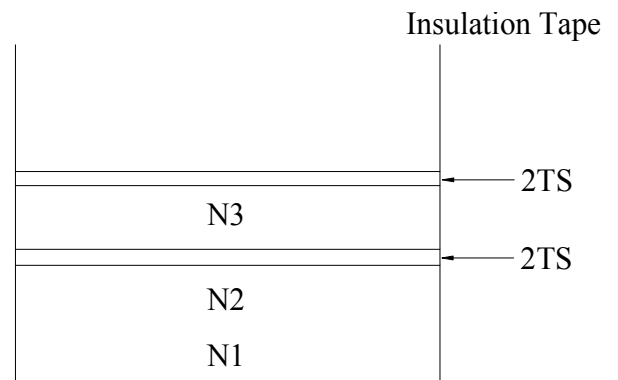
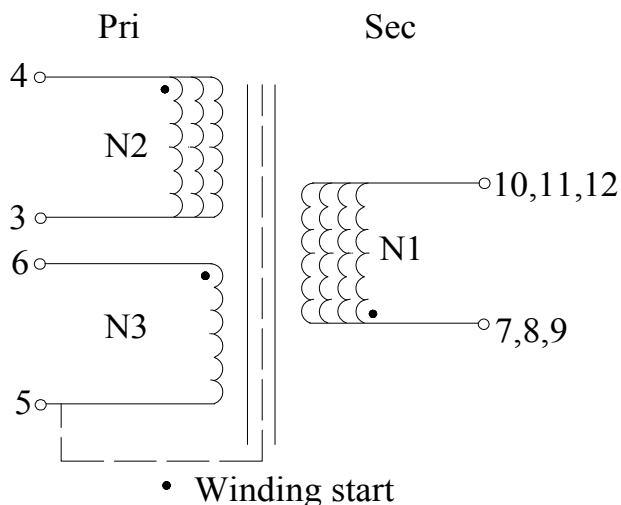


Note:
 (A) The marking:

T30814-6 YY WW

 YY: Year ; WW: Week.
 (2) Mark pin1 with white;
 (3) Fix cores with epoxy;
 (4) Pin1,2 Cut off.

2. SCHEMATIC DIAGRAM:



APPROVED BY

Richard Wen

CHECKED BY

Royi Luo

DRAWN BY

Mary Yang



SPECIFICATION FOR APPROVAL



WINDING & ELECTRICAL CHARACTERISTIC SPEC

CUSTOMER	*	DESCRIPTION	PQ3230 Transformer
CUSTOMER PART NO.		VERSION	1.0
PART NO	T30814-6	PAGE NO	2 OF 3

3. WINDING PARAMETER:

WINDING No.	MATERIAL SPEC.	Start PIN---Finish PIN	TURNS	MYLAR TAPE	MARGIN TAPE		Winding Method	REMARK
					TOP	PIN		
N1	∅ 0.80mm (T.I.W) x 4P	7,8,9 - 10,11,12	5	/			Close	Anti-clockwise
N2	∅ 0.70mm*3P UEFN/U	4 - 3	20	2.0			Close	Anti-clockwise
N3	∅ 0.70mm*1P UEFN/U	6 - 5	3	2.0			Space	Anti-clockwise

NOTE: 1.T.I.W : Triple insulated wire .

4. ELECTRICAL CHARACTERISTIC:

NO.	ITEM	MEASURE POINT	TECHNICAL DATA	CONDICATION/REMARK
1	INDUCTANCE	Pin (4 -3)	275.0uH ± 10%	10KHz 0.25V
2	LEAKAGE INDUCTANCE	Pin (4 -3)	15.0uH Max.	At 10KHz 0.25V ; Short other Pin
3	DCR Test	Pin (4 -3)	30.0mΩ Max.	@25°C
		Pin (6-5)	20.0mΩ Max.	@25°C
		Pin (7-10)	9.0mΩ Max.	@25°C
		Pin (8-11)	18.0mΩ Max.	@25°C
		Pin (9-12)	18.0mΩ Max.	@25°C
4	HI-POT Test	PRI TO SEC	AC 2.5KV	5mA 1SEC 50/60Hz
		PRI ,SEC TO CORE	AC 1.0KV	5mA 1SEC 50/60Hz

APPROVED BY Richard Wen	CHECKED BY Royi Luo	DRAWN BY Mary Yang
-----------------------------------	-------------------------------	------------------------------



SPECIFICATION FOR APPROVAL



DATA SHEET

CUSTOMER	*	DESCRIPTION	PQ3230 Transformer
CUSTOMER PART NO.		VERSION	1.0
PART NO	T30814-6	PAGE NO	3 OF 3

5.1 OUTLINE DIMENSION (UNIT:mm):

TEST ITEM	SPEC.	MAX	MIN	1	2	3	4	5		AVERAGE
A	36.00 (Max.) mm	34.79	34.42	34.78	34.79	34.45	34.46	34.42		34.580
B	37.50 (Max.) mm	35.29	35.10	35.10	35.26	35.20	35.24	35.29		35.218
C	4.00 ± 0.50 mm	4.25	4.06	4.06	4.25	4.10	4.17	4.11		4.138
D	35.00 (Max.) mm	33.44	33.10	33.44	33.43	33.27	33.12	33.10		33.272
E1	5.05 ± 0.50 mm	5.08	4.93	4.93	5.03	5.03	5.01	5.08		5.016
E2	7.60 ± 0.50 mm	7.60	7.56	7.59	7.57	7.60	7.58	7.56		7.580
F	30.30 ± 0.5 mm	30.47	30.28	30.47	30.28	30.30	30.36	30.41		30.364
G	0.80 ± 0.1 mm	0.80	0.77	0.79	0.78	0.77	0.77	0.80		0.782

5.2 ELECTRICAL CHARACTERISTIC:

TEST ITEM	MEASURE POINT	TEST CONDITION	SPEC.	1	2	3	4	5		AVERAGE
INDUCTANCE	Pin (4 -3)	10KHz 0.25V	275.0uH ± 10%	276.00	278.80	279.60	276.20	280.40		278.200
Lk	Pin (4 -3)	At 10KHz 0.25V ; Short other Pin	15.0uH Max.	2.560	2.320	2.720	2.660	2.660		2.584
DCR Test	Pin (4 -3)	@25°C	30.0mΩ Max.	22.69	22.44	21.54	21.99	22.30		22.192
	Pin (6-5)	@25°C	20.0mΩ Max.	14.48	14.25	14.38	14.34	14.48		14.386
	Pin (7-10)	@25°C	9.0mΩ Max.	6.50	7.00	6.35	6.46	6.48		6.558
	Pin (8-11)	@25°C	18.0mΩ Max.	12.27	12.87	12.28	12.20	12.40		12.404
	Pin (9-12)	@25°C	18.0mΩ Max.	12.22	12.58	12.20	12.16	12.37		12.306
HI-POT Test	PRI TO SEC	5mA 1SEC 50/60Hz	AC 2.5KV	PASS	PASS	PASS	PASS	PASS		N/A
	PRI ,SEC TO CORE	5mA 1SEC 50/60Hz	AC 1.0KV	PASS	PASS	PASS	PASS	PASS		N/A

5.3 TEST INSTRUMENTS:

L&Lk&SRF : WK3260B ;
 DCR : Gain Kai Ta 502BCOHM;
 HI-POT : CH19053.

APPROVED BY Richard Wen	CHECKED BY Royi Luo	DRAWN BY Mary Yang
-----------------------------------	-------------------------------	------------------------------



SPECIFICATION FOR APPROVAL



Insulation material list

CUSTOMER	*	DESCRIPTION	PQ3230 Transformer
CUSTOMER PART NO.		VERSION	1.0
PART NO	T30814-6	PAGE NO	1 OF 1

6. MATERIAL LIST:

NO.	MATERIAL NAME	MATERIAL SPEC.	MANUFACTURER	UL File NO.
1	BOBBIN	PM - 9820 & PM - 9630 T357 & T373 & T375J & T353	SUMITOMO CHANG CHUN OR EQUIVALENT	E41429 E59481
2	WIRE	Polyurethane enamelled wire (MW28-C /MW75-C or MW80-C/MW79-C)	PACIFIC OR EQUIVALENT JUNG SHING OR EQUIVALENT	E201757 E174837
3	TRIPLE INSULATION WIRE	TRW-B (130° C) TEX-E (105° C)	GREAT LEOFLON INDUSTRIAL FURUKAWA OR EQUIVALENT	E211989 E206440
4	INSULATION TAPE	PZ/CT280	YAHUA OR EQUIVALENT	E165111
5	VARNISH	T-4260(a)	TAI HU OR EQUIVALENT	E228349
6	GLUE	TH320	TIAN HUAN OR EQUIVALENT	E257593
7	Teflon Tube	CB-TT-L (150V) 200°C TFL(150V) 200°C	CHANGYUAN ELECTRONICS FLUO TECH OR Equivalent	E180908 E175982
8	Copper Foil Tape	#1194 & #1181	3M OR EQUIVALENT	E17385
9	PVC HOOK-UP wire	AWG20 UL3578 wire 105°C 600V	NISSEI ELECTRIC SHENZHEN CO LTD OR EQUIVALENT	E318424

APPROVED BY Richard Wen	CHECKED BY Royi Luo	DRAWN BY Mary Yang
---------------------------------------	-----------------------------------	----------------------------------