



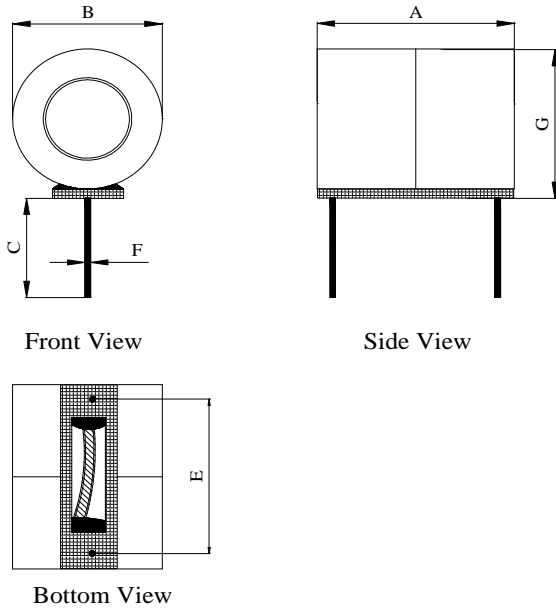
Power Puck Inductor PP4855 Series



1. Features:

- Excellent DC Bias performance.
- Inductance range: 200uH to 500uH.
- Hi-Pot, 2500 Vrms Coil Vs. Core.
- 55.0mm×48.0×50.0mm (L×OD×H) Max. Custom value are welcomed.
- Operating Temperature Range -55°C to + 130°C; RoHS compliance.

2. Mechanical Dimension (Unit:mm):



Type	PP4855
A	55.0 (Max.)
B	48.0 (Max.)
C	10.0 ± 1.0
E	12.0 ± 1.0
F	See below table
G	50.0 (Max.)

3. Electrical Characteristic of PP4855 Series:

Part Number	OCL (uH) ±20%	DCR (mΩ) Typ.	DCR (mΩ) Max.	Isat ¹ (A) @25°C	L@Isat ¹ (uH) Typ.	Isat ² (A) @25°C	L@Isat ² (uH) Typ.	Irms (A) @25°C	L@Irms (uH) Typ.	Dimension F (mm)
PP4855-201MHF	200.0	18.1	24.0	11.0	183.0	29.0	144.6	32.0	136.6	2.0
PP4855-301MHF	300.0	26.5	35.0	10.0	279.7	27.0	218.5	28.0	214.6	1.8
PP4855-501MHF	500.0	38.3	50.0	8.0	463.5	21.0	363.8	20.0	370.8	1.7

Note:

1. OCL (Open Circuit Inductance) and L@Irms and L@Isat and DCR are measured at: 100KHz, 0.25V @25°C.
2. Isat¹: DC current that causes inductance to drop by approximately 10% from OCL.
3. Isat²: DC current that causes inductance to drop by approximately 30% from OCL.
3. Irms: DC current that causes an approximate temperature rise (ΔT) of 40°C.
4. Inductance Vs. DC bias curve, please see the next page to get more detail information.



Power Puck Inductor PP4855 Series

