

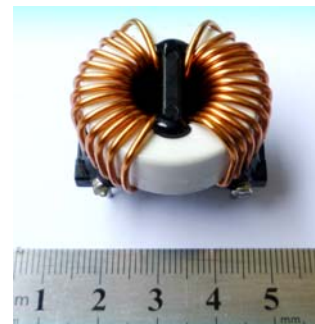


C30530 Series

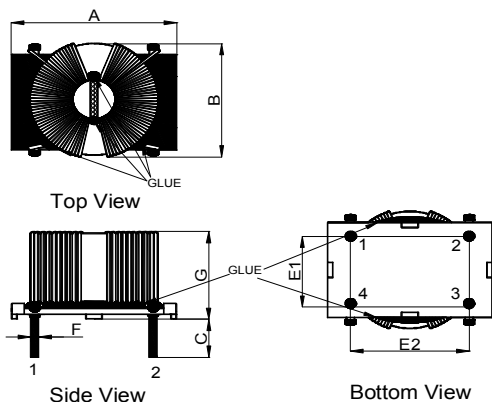


1. Features:

- Single wire wound and very compact design.
- Inductance Range:9.0mH to 65.0mH. Custom values are welcomed.
- Excellent EMI suppression capability over wide frequency spectrum .
- High current capability.
- Lower core loss, lower distributed capacitance.
- Dielectric strength:1500Vrms.
- Coil mount on UL94-V0 rated plastic head.
- Fixed pin spacing allow easy PCB insertion.
- Operating temperature:-55 to + 130°C , RoHS & HF compliance.



2. Mechanical Dimension(Unit:mm):



Unit in mm:

Part Number	A Max	B Max	C ±0.5	E1 ±0.5	E2 ±0.5	F ±0.1	G Max
C30530-01	35.5	30.0	5.0	15.3	22.8	1.2	25.0
C30530-02	34.5	30.0	5.0	15.3	22.8	1.2	23.0
C30530-03	34.5	30.0	5.0	15.3	22.8	1.2	23.0
C30530-04	34.5	30.0	5.0	15.3	22.8	1.2	23.0
C30530-05	34.5	30.0	5.0	15.3	22.8	1.2	23.0
C30530-06	34.5	30.0	5.0	15.3	22.8	1.2	23.0

3. Electrical Characteristic of C30530 Series:

Part Number	L (mH) ±35%	I _{rate} (A) Max	DCR (Ω) Max
C30530-01	9.0	14.5	0.0085
C30530-02	10.5	8.9	0.0120
C30530-03	14.0	5.6	0.0195
C30530-04	23.5	4.0	0.0360
C30530-05	45.0	2.4	0.0850
C30530-06	65.0	1.7	0.1380

Test Condition:

- 1.Open Circuit Inductance (OCL) test condition:10KHz, 0.1Vrms,0A_{dc} ,at 25 °C .
- 2.I_{rate} is defined as the applied current level that cause approx 35 °C temperature rise without force air flow.
- 3.Impedance measures with both windings in parallel and at ambient temperature(25 °C).

4. Impedance vs. Frequency Curve:

