

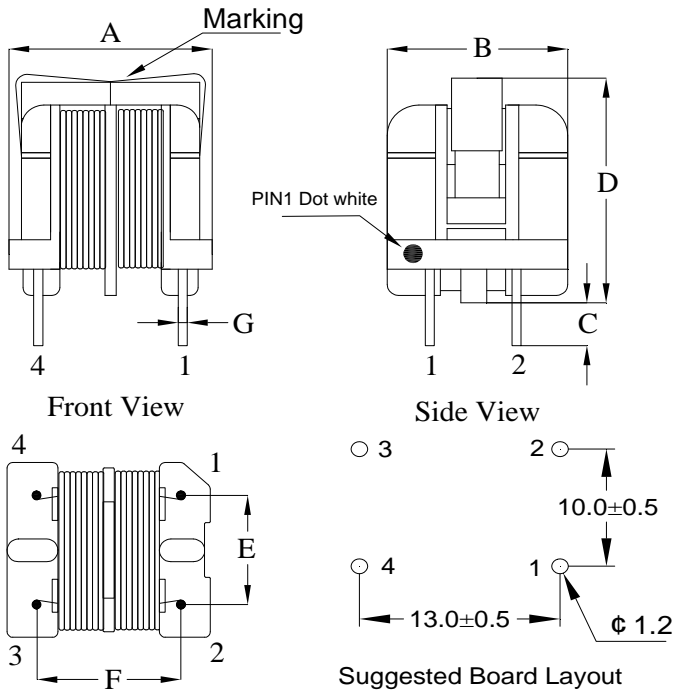


C20881 Series



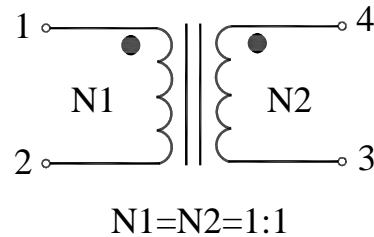
1. Features:

- 18.5x17.0mm Max.(LxW), 23.0mm Max. Height.
- Inductance range: 3.3mH~51mH .Custom values are welcomed.
- Rated current up to 0.65A.
- Ideally used as AC common mode noise filter for TV, VCR, Switching power supply, PC&PC related advice, measurement attenuation and control unit with better characteristics in low frequency band.
- Operating Temperature Range -40°C to + 125°C ; RoHs & HF compliance .



2. Mechanical Dimension(Unit:mm):

A	B	C	D	E	F	G
(Max.)	(Max.)	± 0.5	(Max.)	± 0.3	± 0.3	± 0.1
18.50	17.00	4.00	23.00	10.00	13.00	0.70



Notes: "•" START OF WINDING

3. Electrical Characteristic of C20881 Series:

Part Number	Inductance (1-2),(4-3) (mH) Min.	Inductance difference (1-2)-(4-3) (mH) Max.	DCR (1-2),(4-3) (Ω) Max.	Irate ² @25°C (A)
C20881-01	3.300	0.100	0.71	0.650
C20881-02	6.800	0.200	1.26	0.430
C20881-03	12.000	0.360	2.20	0.340
C20881-04	22.000	0.440	3.64	0.250
C20881-05	33.000	0.660	5.74	0.200
C20881-06	51.000	1.000	9.12	0.150

Note:

- 1>.Open Circuit Inductance(OCL) are measured at: 1KHz, 0.25V ;(Ta=25 °C).
- 2>.Irate: The DC current at which the temperature rise is $\Delta T=40^{\circ}\text{C}$;(Ta=25 °C).

US 1 914 347 2474 ●Taiwan 886 972 022 388 ●Shenzhen 86 755 8418 6263 ●Shanghai 86 21 5424 5141 ●HK 852 9688 9767

Sales@inter-technical.com www.inter-technical.com , Rev.A, Apr.19, 2012