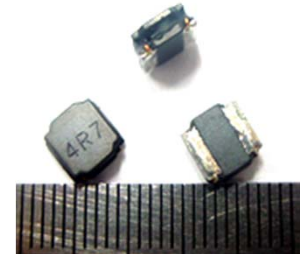




# SLNR5320 Series



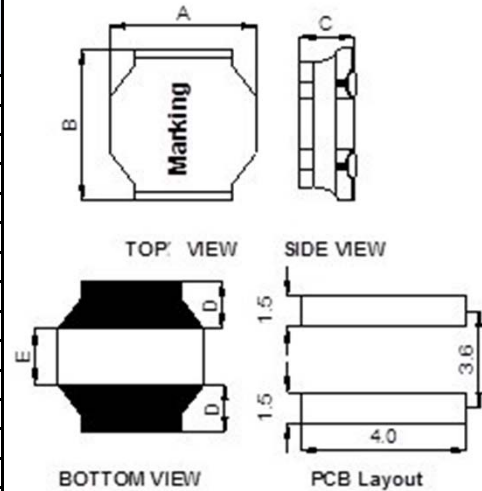
## 1. Features:

- Miniature SMD Shielded Power Inductor in a 5.3 x 5.3mm footprint
- Low profile: 2.0mm max height
- Inductance Range of 0.75uH to 100.0uH
- Ideal for DC to DC power converter application
- Operating Temperature Range -55°C to + 130°C
- Quantity Per Reel: 2500 pcs per 13" Reel

## 2. Electrical Characteristics:

Part Number	OCL (uH) ±20% or ±30%	DCR (mΩ) ±30%	Isat (A) @25°C	Irms (A) @25°C	SRF (MHz) Min	Marking
SLNR5320-R75NHF	0.75, 30%	14.0	6.32	4.20	110	R75
SLNR5320-1R0NHF	1.0, 30%	18.0	5.72	3.70	97	1R0
SLNR5320-1R2NHF	1.2, 30%	18.0	4.94	3.70	84	1R2
SLNR5320-1R5NHF	1.5, 30%	23.0	4.95	3.34	80	1R5
SLNR5320-2R2NHF	2.2, 30%	27.0	3.85	3.05	61	2R2
SLNR5320-2R7NHF	2.7, 30%	38.0	3.58	2.55	54	2R7
SLNR5320-3R3NHF	3.3, 30%	44.0	3.25	2.40	46	3R3
SLNR5320-3R6NHF	3.6, 30%	44.0	2.89	2.40	44	3R6
SLNR5320-3R9NHF	3.9, 30%	50.0	2.99	2.25	40	3R9
SLNR5320-4R7NHF	4.7, 30%	59.0	2.40	2.05	33	4R7
SLNR5320-5R1MHF	5.1, 20%	66.0	2.68	1.95	32	5R1
SLNR5320-5R6MHF	5.6, 20%	66.0	2.37	1.95	30	5R6
SLNR5320-6R8MHF	6.8, 20%	87.0	2.10	1.70	30	6R8
SLNR5320-8R2MHF	8.2, 20%	93.0	1.98	1.65	30	8R2
SLNR5320-9R1MHF	9.1, 20%	105.0	1.86	1.55	27	9R1
SLNR5320-100MHF	10.0, 20%	110.0	1.79	1.50	24	100
SLNR5320-120MHF	12.0, 20%	145.0	1.61	1.30	23	120
SLNR5320-150MHF	15.0, 20%	165.0	1.44	1.25	20	150
SLNR5320-180MHF	18.0, 20%	200.0	1.35	1.20	18	180
SLNR5320-220MHF	22.0, 20%	235.0	1.18	1.05	16	220
SLNR5320-270MHF	27.0, 20%	285.0	1.09	0.95	14	270
SLNR5320-330MHF	33.0, 20%	370.0	0.97	0.83	13	330
SLNR5320-360MHF	36.0, 20%	380.0	0.93	0.80	12	360
SLNR5320-390MHF	39.0, 20%	415.0	0.93	0.78	12	390
SLNR5320-430MHF	43.0, 20%	450.0	0.88	0.75	11	430
SLNR5320-470MHF	47.0, 20%	525.0	0.81	0.70	11	470
SLNR5320-510MHF	51.0, 20%	545.0	0.76	0.68	10	510
SLNR5320-560MHF	56.0, 20%	560.0	0.76	0.67	9.7	560
SLNR5320-620MHF	62.0, 20%	625.0	0.72	0.63	9.2	620
SLNR5320-680MHF	68.0, 20%	885.0	0.70	0.53	8.8	680
SLNR5320-750MHF	75.0, 20%	890.0	0.63	0.53	8.3	750
SLNR5320-820MHF	82.0, 20%	945.0	0.62	0.52	8.3	820
SLNR5320-910MHF	91.0, 20%	1000.0	0.61	0.50	7.9	910
SLNR5320-101MHF	100.0, 20%	1060.0	0.57	0.49	7.6	101

## 3. Mechanical Dimensions (unit:mm):



A	B	C	D	E
±0.3	±0.3	Max.	±0.3	±0.3
5.0	5.0	2.0	1.25	2.5

### Notes:

1. Open Circuit Inductance (OCL) and L@Isat test condition: 100KHz, 1.0V; (Ta=25°C)
2. Isat: DC current that causes inductance to drop by approximately 30% from OCL; (Ta=25°C)
3. Irms: DC current that causes an approximate temperature rise (ΔT) of 40°C; (Ta=25°C)