

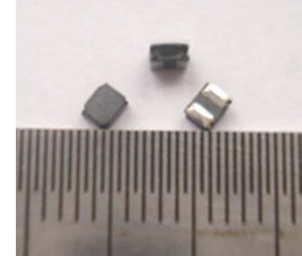


SLNR252012 Series



1. Features:

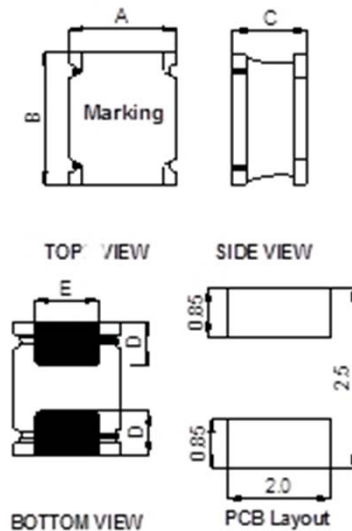
- Miniature SMD Shielded Power Inductor in a 2.6 x 2.1 mm foot print
- Low profile: 1.2mm max height
- Inductance Range of 0.68uH to 15.0uH
- Ideal for DC to DC power converter application
- Operating Temperature Range -55°C to + 130°C
- Quantity Per Reel: 2000 pcs, 7 Inch Reel



2. Electrical Characteristics:

Part Number	OCL (uH) ±20% or ±30%	DCR (mΩ) ±30%	Isat (A) @25°C	Irms (A) @25°C	SRF (MHz) Min
SLNR252012-R68NHF	0.68, 30%	65.0	3.06	1.55	140
SLNR252012-1R0NHF	1.0, 30%	75.0	2.68	1.45	110
SLNR252012-1R2NHF	1.2, 30%	95.0	2.52	1.30	100
SLNR252012-1R5NHF	1.5, 30%	110.0	2.22	1.20	97
SLNR252012-2R2MHF	2.2, 20%	165.0	1.78	0.99	69
SLNR252012-2R7MHF	2.7, 20%	180.0	1.65	0.95	63
SLNR252012-3R3MHF	3.3, 20%	215.0	1.72	0.87	62
SLNR252012-3R6MHF	3.6, 20%	215.0	1.48	0.87	53
SLNR252012-4R3MHF	4.3, 20%	280.0	1.33	0.76	51
SLNR252012-4R7MHF	4.7, 20%	305.0	1.27	0.72	47
SLNR252012-5R1MHF	5.1, 20%	330.0	1.20	0.70	44
SLNR252012-5R6MHF	5.6, 20%	435.0	1.23	0.61	46
SLNR252012-6R2MHF	6.2, 20%	435.0	1.09	0.61	38
SLNR252012-6R8MHF	6.8, 20%	460.0	1.03	0.59	38
SLNR252012-7R5MHF	7.5, 20%	490.0	1.00	0.57	35
SLNR252012-8R2MHF	8.2, 20%	520.0	0.99	0.55	36
SLNR252012-9R1MHF	9.1, 20%	550.0	0.97	0.54	34
SLNR252012-100MHF	10.0, 20%	575.0	0.88	0.53	34
SLNR252012-120MHF	12.0, 20%	850.0	0.80	0.43	28
SLNR252012-150MHF	15.0, 20%	1250.0	0.67	0.35	25

3. Mechanical Dimensions



A	B	C	D	E
±0.1	±0.1	Max.	±0.1	±0.1
2.0	2.5	1.2	0.8	1.5

Notes:

1. Open Circuit Inductance (OCL) and L@Isat test condition: 100KHz, 1.0V; (Ta=25°C)
2. Isat: DC current that causes inductance to drop by approximately 30% from OCL; (Ta=25°C)
3. Irms: DC current that causes an approximate temperature rise (ΔT) of 40°C; (Ta=25°C)