



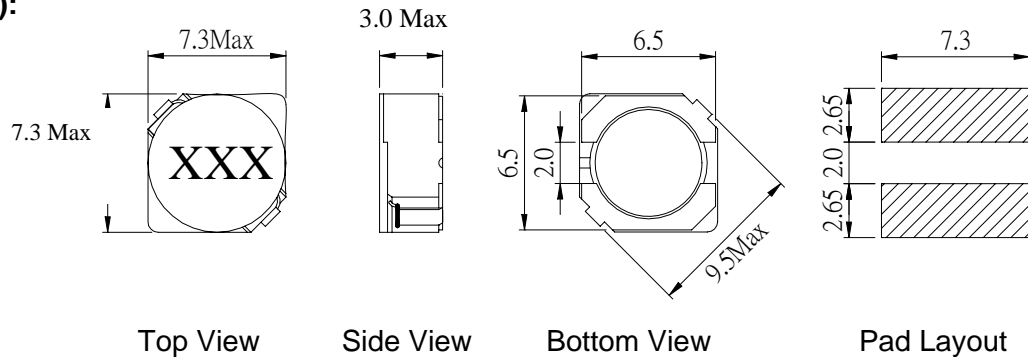
SDRT63 Series



Features:

- 0.25" foot print, low profile shielded inductor.
- Low profile 3 mm max. height.
- Inductance range: 3 ~ 100 uH.
- Ideally for high density board application.
- Tape & Reel qty's: 1500pcs per reel.

Dimensions (mm):



Electrical Specification				
Part Number	L @ 100 KHz 0.25V (uH)	DCR Max. (mΩ)	DCR Typ. (mΩ)	I _{rate} (Amp)
SDRT63-3R0x	3.0	24	17	3.00
SDRT63-3R9x	3.9	27	20	2.60
SDRT63-5R0x	5.0	31	23	2.40
SDRT63-6R0x	6.0	35	27	2.25
SDRT63-7R3x	7.3	54	33	2.10
SDRT63-8R6x	8.6	58	39	1.85
SDRT63-100x	10.0	65	45	1.70
SDRT63-120x	12.0	70	57	1.55
SDRT63-150x	15.0	84	63	1.40
SDRT63-180x	18.0	95	75	1.32
SDRT63-220x	22.0	128	93	1.20
SDRT63-270x	27.0	142	112	1.05
SDRT63-330x	33.0	165	137	0.97
SDRT63-390x	39.0	210	157	0.86
SDRT63-470x	47.0	238	173	0.80
SDRT63-560x	56.0	277	212	0.73
SDRT63-680x	68.0	304	275	0.65
SDRT63-820x	82.0	390	334	0.60
SDRT63-101x	100.0	535	381	0.54

NOTES:

1. Tolerance: K = ±10%, M = ±20%, N = ±30%.
2. I_{rate} indicates the current that causes inductance decrease by 35% of the initial value or 40 °C temperature raise; whichever is lower will be defined as I_{rate}.