



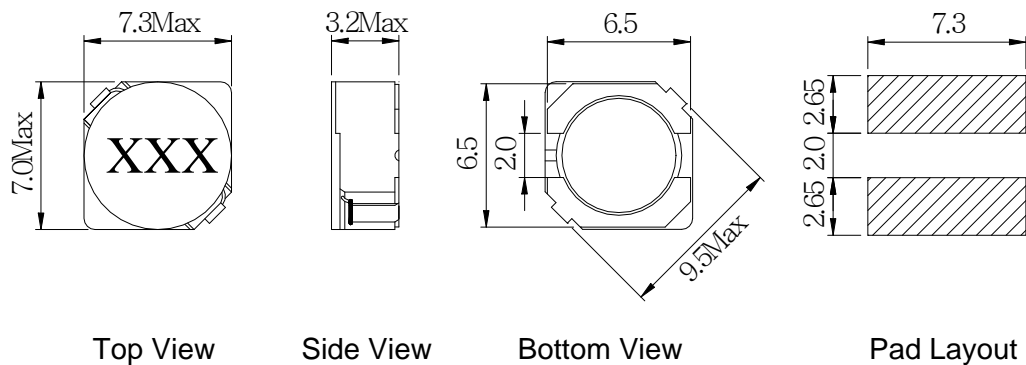
SDRS73 Series



Features:

- 0.25" foot print, low profile shielded inductor.
- Inductance range: 3 uH ~ 100 uH.
- Ideally for high density board application.

Dimensions (mm):



Electrical Specification				
Part Number	L @ 100 KHz 0.25V (uH)	DCR Max. (mΩ)	DCR Typ. (mΩ)	I _{rate} (Amp)
SDRS73-3R0XHF	3.0	24	17	3.00
SDRS73-3R9XHF	3.9	27	21	2.60
SDRS73-5R0XHF	5.0	31	25	2.40
SDRS73-6R0XHF	6.0	35	30	2.25
SDRS73-7R3XHF	7.3	54	35	2.10
SDRS73-8R6XHF	8.6	58	40	1.85
SDRS73-100XHF	10.0	65	47	1.70
SDRS73-120XHF	12.0	70	54	1.55
SDRS73-150XHF	15.0	84	71	1.40
SDRS73-180XHF	18.0	95	88	1.32
SDRS73-220XHF	22.0	128	110	1.20
SDRS73-270XHF	27.0	142	127	1.05
SDRS73-330XHF	33.0	165	150	0.97
SDRS73-390XHF	39.0	210	180	0.86
SDRS73-470XHF	47.0	238	190	0.80
SDRS73-560XHF	56.0	277	250	0.73
SDRS73-680XHF	68.0	304	290	0.65
SDRS73-820XHF	82.0	390	330	0.60
SDRS73-101XHF	100.0	535	440	0.54

NOTES:

1. Tolerance: K = ±10%, M = ±20%, N = ±30%.
2. I_{rate} indicates the current that causes inductance decrease by 35% of the initial value or 40 °C temperature raise; whichever is lower will be defined as I_{rate}.