



SDRR07645 Series

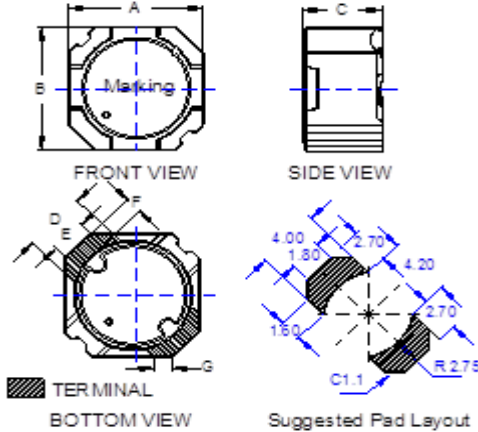


1. Features:

- Ferrite based SMD Inductor with lower core loss.
- Inductance Range:1.2uH to 100.0uH. Custom values are welcomed.
- High current output chokes, upto 13.0 Amp with approx. 35% roll off.
- Low Profile 4.5mm Max. height .
- Foot Print 7.6 x 7.6 mm Max.
- Ideal for LCD driver,DSC/DVC,Notebook PC and High Density Board Design.
- Operating Temperature Range -55°C to + 130°C , RoHs & HF compliance .
- T & R Qty: 1000 pcs per reel , 13" Reel ;



2. Mechanical Dimension(Unit:mm):



Type	SDRR07645		
A	7.30	±	0.30 mm
B	7.30	±	0.30 mm
C	4.50		(Max.) mm
D	3.50		(Nom.) mm
E	1.70		(Nom.) mm
F	1.30		(Nom.) mm
G	1.30		(Nom.) mm

3. Electrical Characteristic of SDRR07645 Series:

Part Number	Inductance (uH) ± 25%	DCR (mΩ) Typ.	DCR (mΩ) Max.	Isat ¹ (A) @25°C	L@Isat ¹ (uH) Typ.	Isat ² (A) @105°C	L@Isat ² (uH) Typ.	Irms (A)	L@Irms (uH) Typ.
SDRR07645-1R2PHF	1.20	5.80	7.60	13.00	1.02	11.50	1.00	9.00	1.10
SDRR07645-2R0PHF	2.00	7.95	10.50	11.00	1.53	8.50	1.63	7.60	1.78
SDRR07645-2R7PHF	2.70	11.00	14.50	9.00	2.20	7.20	2.30	7.30	2.37
SDRR07645-3R7PHF	3.70	14.20	18.90	8.00	2.90	6.50	2.97	7.00	3.30
SDRR07645-4R7PHF	4.70	18.20	21.40	7.50	3.60	6.00	3.73	5.80	4.20
SDRR07645-5R8PHF	5.80	14.20	24.00	7.00	4.10	5.50	4.20	5.60	4.90
SDRR07645-7R2PHF	7.20	25.80	33.90	6.00	5.70	4.60	5.30	5.50	5.90
SDRR07645-100PHF	10.00	35.30	48.40	5.00	7.60	4.20	7.25	4.00	8.90
SDRR07645-120PHF	12.00	43.70	56.80	4.20	8.50	4.00	9.00	3.70	8.80
SDRR07645-150PHF	15.00	55.90	80.40	4.30	12.00	3.20	10.70	3.50	13.00
SDRR07645-180PHF	18.00	66.50	93.60	4.00	14.50	3.00	13.86	3.40	13.20
SDRR07645-220PHF	22.00	76.00	106.40	3.70	16.30	2.70	17.00	3.30	17.50
SDRR07645-270PHF	27.00	98.70	143.60	3.20	21.00	2.50	19.95	2.70	23.50
SDRR07645-330PHF	33.00	123.90	160.00	3.00	23.00	2.20	25.20	2.50	28.00
SDRR07645-390PHF	39.00	149.10	175.00	2.60	29.90	2.00	28.44	2.30	33.50
SDRR07645-470PHF	47.00	178.30	247.00	2.50	33.00	1.90	34.80	2.10	40.30
SDRR07645-560PHF	56.00	219.40	266.30	2.40	38.40	1.80	40.70	1.90	47.20
SDRR07645-680PHF	68.00	279.20	363.80	2.00	54.50	1.60	48.40	1.60	59.90
SDRR07645-820PHF	82.00	319.10	401.40	1.90	67.90	1.50	60.55	1.50	73.90
SDRR07645-101PHF	100.00	359.20	455.80	1.70	75.80	1.30	78.80	1.30	89.30

Note:1>.Open Circuit Inductance (OCL) test condition:100KHz,1.0 Vrms ,0Adc;(Ta=25°C).

2>.Isat: DC current that causes inductance to drops 35% from OCL (Typical);(Ta=25°C).

3>. Irms: DC current for an approximate temperature rise of 40°C without core loss;(Ta=25°C).



SDRR07645 Series



Inductance vs. Current

