

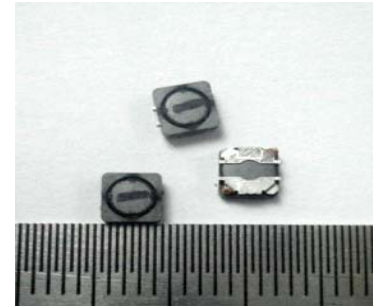


# SDRH4018 Series

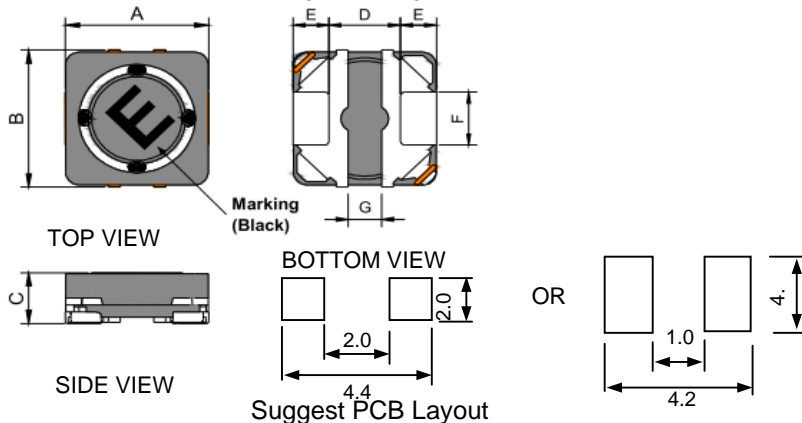


## 1. Features:

- Miniature size: Mount area 4.0\*4.0mm; Low profile 1.8mm max. height.
- Generic use for portable DC to DC converter line.
- Available for automatic mounting in tape and reel package.
- The products contain no lead and also support lead-free soldering.
- High Reliability for Resistance to Soldering heat.
- Power source inductor for mobile phones, HDDs, LCD Panel, and DSCs.
- Operating Temperature Range -55°C to +130°C, RoHS & HF compliance.
- T & R Qty: 3000 pcs, 13" Reel;



## 2. Mechanical Dimension (Unit:mm):



Type	SDRH4018
A	4.00 ± 0.2
B	4.00 ± 0.3
C	1.80 (Max.)
D	2.10 (Typ.)
E	0.96 (Typ.)
F	1.60 (Typ.)
G	1.10 (Typ.)

## 3. Electrical Characteristic of SDRH4018 Series:

Part Number	OCL ( $\mu$ H) $\pm 20\%$ or $30\%$	DCR ( $\Omega$ ) $\pm 20\%$	Isat (A) @25°C	Irms (A) @25°C	Marking
SDRH4018-1R0NHF	1.0, 30%	0.041	2.70	2.40	A
SDRH4018-1R2NHF	1.2, 30%	0.046	2.30	2.20	B
SDRH4018-1R5NHF	1.5, 30%	0.051	2.10	2.00	C
SDRH4018-1R8NHF	1.8, 30%	0.055	2.00	1.90	D
SDRH4018-2R2NHF	2.2, 30%	0.059	1.90	1.85	E
SDRH4018-2R7NHF	2.7, 30%	0.067	1.60	1.70	F
SDRH4018-3R3NHF	3.3, 30%	0.074	1.40	1.60	G
SDRH4018-3R9NHF	3.9, 30%	0.082	1.30	1.50	H
SDRH4018-4R7MHF	4.7, 20%	0.099	1.20	1.35	I
SDRH4018-5R6MHF	5.6, 20%	0.110	1.10	1.25	J
SDRH4018-6R8MHF	6.8, 20%	0.130	1.00	1.20	K
SDRH4018-8R2MHF	8.2, 20%	0.140	0.90	1.10	L
SDRH4018-100MHF	10.0, 20%	0.150	0.85	1.00	M
SDRH4018-120MHF	12.0, 20%	0.220	0.80	0.95	N
SDRH4018-150MHF	15.0, 20%	0.240	0.70	0.90	O
SDRH4018-180MHF	18.0, 20%	0.260	0.65	0.85	P
SDRH4018-220MHF	22.0, 20%	0.370	0.55	0.75	Q
SDRH4018-270MHF	27.0, 20%	0.420	0.50	0.70	R
SDRH4018-330MHF	33.0, 20%	0.480	0.45	0.60	S
SDRH4018-470MHF	47.0, 20%	0.620	0.40	0.50	U

### Note:

1. OCL (Open Circuit Inductance) and L@ Irms and L @ Isat are measured at: 100KHz, 0.1V @ 25°C.
2. Isat: DC current that causes inductance to drop by approximately 30% from OCL.
3. Irms: DC current that causes an approximate temperature rise ( $\Delta T$ ) of 40°C typ.
4. Rated DC Current: The less value which is Isat or Irms.



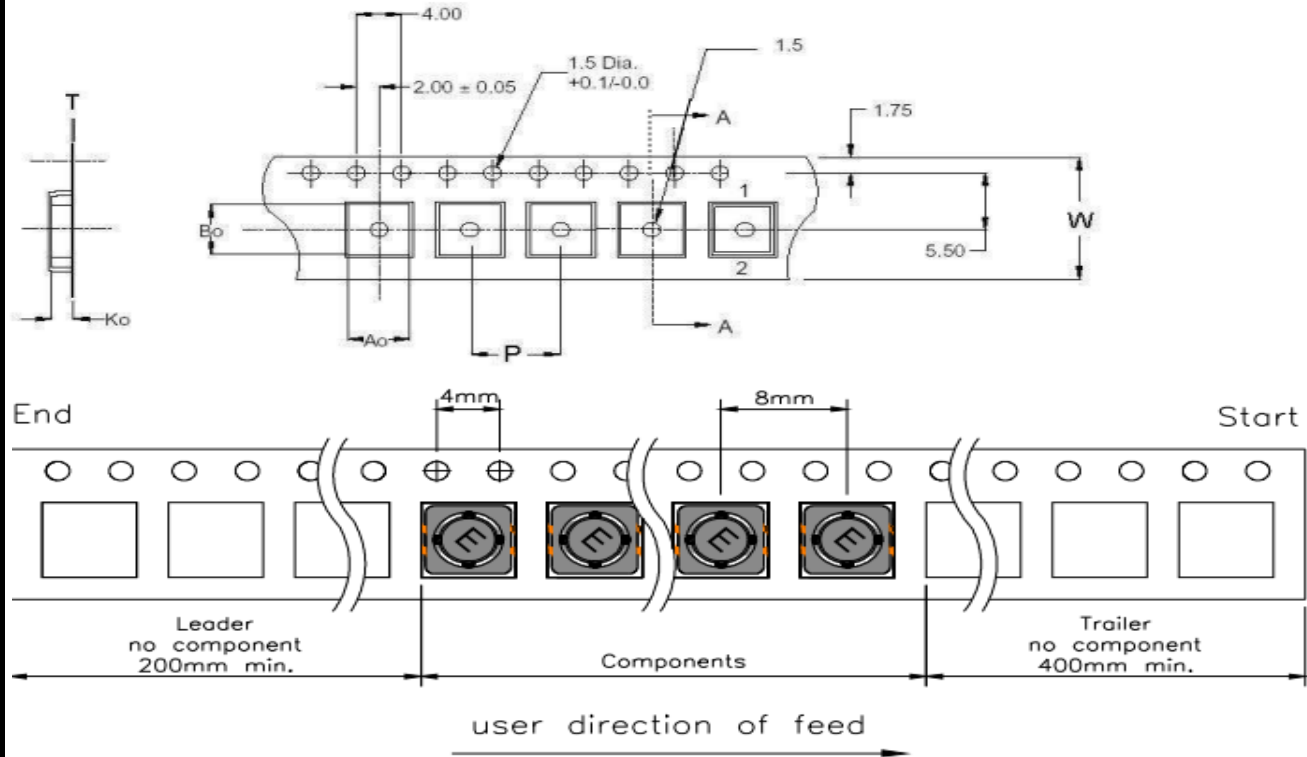
# SPECIFICATION FOR APPROVAL



<b>CUSTOMER</b>	*	<b>REV NO</b>	1.0
<b>DESCRIPTION</b>	Power Inductor	<b>PAGE NO</b>	1 of 1
<b>PART NO</b>	SDRH4018 Series	<b>DATE</b>	2013.01.07

## 1. PACKAGE SPECIFICATION.(UNIT:mm)

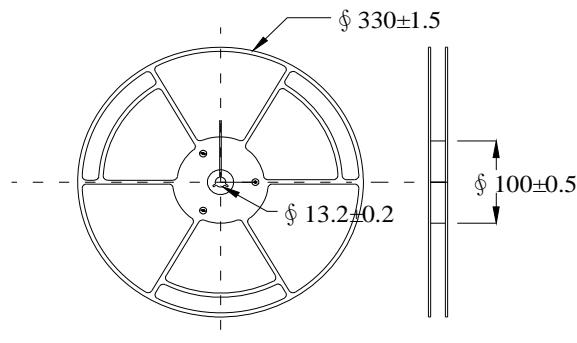
### (1).ENCAPSULATION MODE



### (2).DIMENSION(mm)

A0	B0	K0	W	P	T
4.5±0.1	4.20±0.1	2.2±0.1	12.0+0.3/-0.1	8.0±0.1	0.30±0.05

### (3).REEL SIZE



3000pcs/Reel

The products are packaged so that no damage will be sustained.

**APPROVED BY**

Richard Wen

**CHECKED BY**

Royi Luo

**DRAWN BY**

Billy Tang