



SDRH127 Series



1. Features:

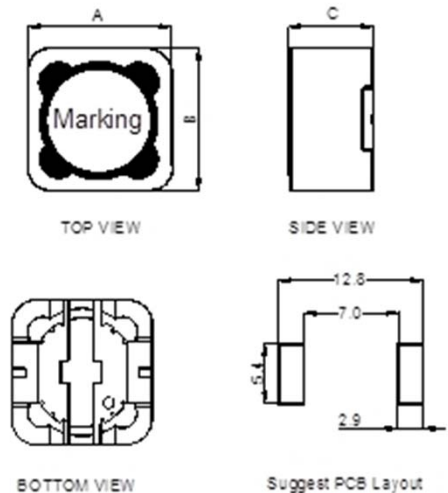
- Ferrite based SMD Inductor with lower core loss.
- Inductance Range: 1.5uH to 1000.0uH. Custom values welcomed.
- High current output chokes, up to 9.8 Amp with 25% roll off.
- Footprint 12.5 x 12.5mm Max.
- Ideal for LCD Driver, DSC/DVC, Notebook PC or High Density Board Design.
- Quantity Per Reel: 500 pcs per 13" Reel
- Operating Temperature Range -55°C to + 130°C



2. Electrical Characteristics:

Part Number	Test Condition	Inductance (uH)	Tolerance (%)	DCR (Ω) Max.	Rated Current (A)
SDRH127-1R5M,NHF	100KHz/0.3V	1.5	±20, ±30	7.0m	9.80
SDRH127-2R2M,NHF	100KHz/0.3V	2.2	±20, ±30	11.5m	8.00
SDRH127-3R3M,NHF	100KHz/0.3V	3.3	±20, ±30	13.5m	7.50
SDRH127-4R7M,NHF	100KHz/0.3V	4.7	±20, ±30	15.8m	6.80
SDRH127-6R8M,NHF	100KHz/0.3V	6.8	±20, ±30	19.0m	6.60
SDRH127-8R2M,NHF	100KHz/0.3V	8.2	±20, ±30	20.0m	5.60
SDRH127-100MHF	1KHz/0.3V	10.0	±20	21.6m	5.40
SDRH127-120MHF	1KHz/0.3V	12.0	±20	24.3m	4.90
SDRH127-150MHF	1KHz/0.3V	15.0	±20	27.0m	4.50
SDRH127-180MHF	1KHz/0.3V	18.0	±20	39.2m	3.90
SDRH127-220MHF	1KHz/0.3V	22.0	±20	43.2m	3.60
SDRH127-270MHF	1KHz/0.3V	27.0	±20	45.9m	3.40
SDRH127-330MHF	1KHz/0.3V	33.0	±20	64.8m	3.00
SDRH127-390MHF	1KHz/0.3V	39.0	±20	72.9m	2.75
SDRH127-470MHF	1KHz/0.3V	47.0	±20	0.10	2.50
SDRH127-560MHF	1KHz/0.3V	56.0	±20	0.11	2.35
SDRH127-680MHF	1KHz/0.3V	68.0	±20	0.14	2.10
SDRH127-820MHF	1KHz/0.3V	82.0	±20	0.16	1.95
SDRH127-101MHF	1KHz/0.3V	100.0	±20	0.22	1.70
SDRH127-121MHF	1KHz/0.3V	120.0	±20	0.25	1.60
SDRH127-151MHF	1KHz/0.3V	150.0	±20	0.28	1.42
SDRH127-181MHF	1KHz/0.3V	180.0	±20	0.35	1.30
SDRH127-221MHF	1KHz/0.3V	220.0	±20	0.39	1.16
SDRH127-271MHF	1KHz/0.3V	270.0	±20	0.56	1.06
SDRH127-331MHF	1KHz/0.3V	330.0	±20	0.64	0.95
SDRH127-391MHF	1KHz/0.3V	390.0	±20	0.70	0.88
SDRH127-471MHF	1KHz/0.3V	470.0	±20	0.98	0.79
SDRH127-561MHF	1KHz/0.3V	560.0	±20	1.07	0.73
SDRH127-681MHF	1KHz/0.3V	680.0	±20	1.46	0.67
SDRH127-821MHF	1KHz/0.3V	820.0	±20	1.64	0.60
SDRH127-102MHF	1KHz/0.3V	1000.0	±20	1.82	0.55

3. Mechanical Dimensions (unit:mm):



A	B	C
Max.	Max.	Max.
12.5	12.5	8.0

Notes:

1. Inductance is measured with a LCR meter:WK3260B&WK3265B or equivalent.
2. DCR is measured with a Digital Multimeter TH2512B or equivalent.
3. Rated Current: The rated current is the current at which the inductance decreases by 25% from the initial value or the temperature rise is $\Delta T=40^{\circ}\text{C}$, whichever is smaller; ($T_a=20^{\circ}\text{C}$)

New York 1.914.347.2474 • Taiwan 886.972.022.388 • Shenzhen 86.755.8418.6263 • Shanghai 86.21.5424.5141 • Hong Kong 852.9688.9767
 sales@inter-technical.com • www.inter-technical.com

Revision D: 11/22/11